

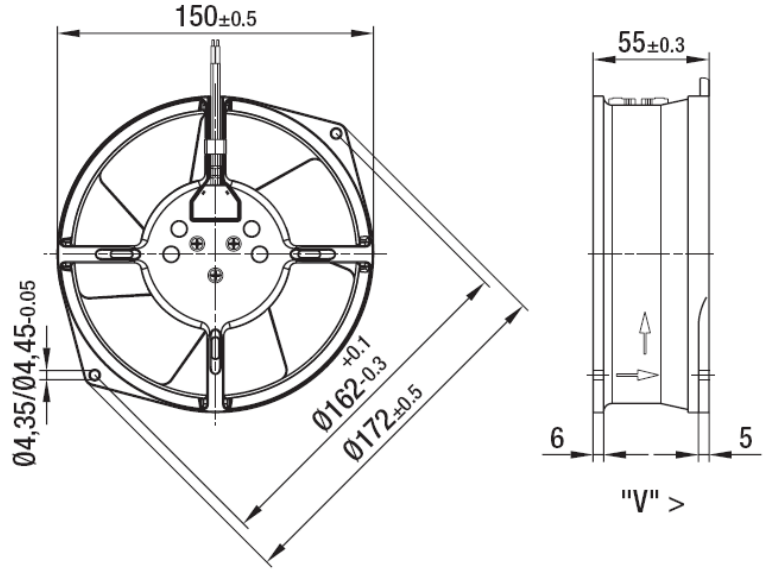
Fanlar



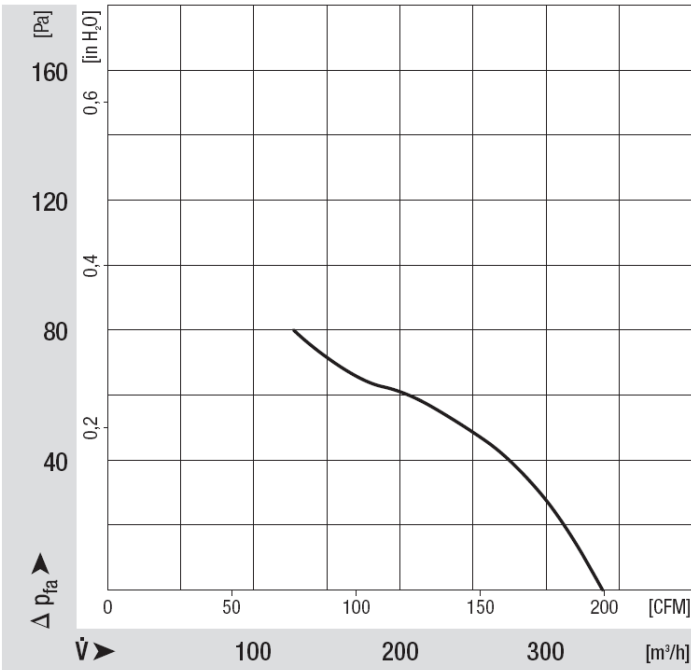
**“ebmpapst”
Kompakt Aksiyel Fanlar**

W2S130 AA03- 01

Phase		1~	1~
Nominal voltage	[V]	230	230
Frequency	[Hz]	50	60
Type of data definition		rfa	rfa
Valid for approval / standard		CE	CE
Speed	[min ⁻¹]	2800	3250
Power input	[W]	45	39
Current draw	[A]	0.31	0.25
Max. back pressure	[Pa]	80	120
Max. ambient temperature	[°C]	50	70
Air flow	[m ³ /h]	325	380
Back pressure	[Pa]	0	0
Sound pressure level	[dB(A)]	49	53



Performans (50 Hz) :



Bağlantı:

