

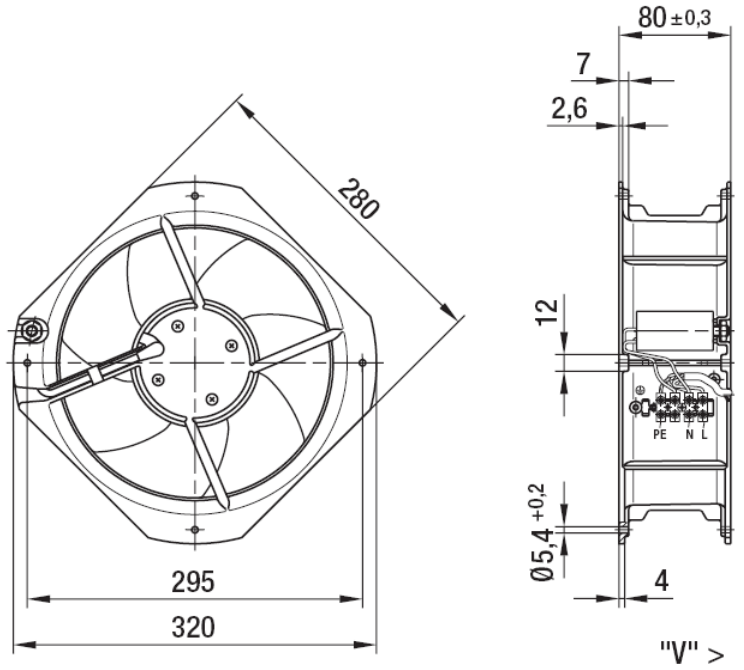
**Fanlar**



**“ebmpapst”**  
**Kompakt Aksiyel Fanlar**

**W2E250 HL06- 01**

Phase		1~	1~
Nominal voltage	[V]	230	230
Frequency	[Hz]	50	60
Type of data definition		rfa	rfa
Valid for approval / standard		CE	CE
Speed	[min <sup>-1</sup> ]	2550	2700
Power input	[W]	127	180
Current draw	[A]	0,56	0,79
Motor capacitor	[µF]	4	4
Capacitor voltage	[VDB]	400	400
Capacitor standard		P0 (CE)	P0 (CE)
Max. back pressure	[Pa]	100	100
Max. ambient temperature	[°C]	60	45
Air flow	[m <sup>3</sup> /h]	1865	1970
Back pressure	[Pa]	0	0
Sound pressure level	[dB(A)]	69	70



**Performans (50 Hz) :**

