

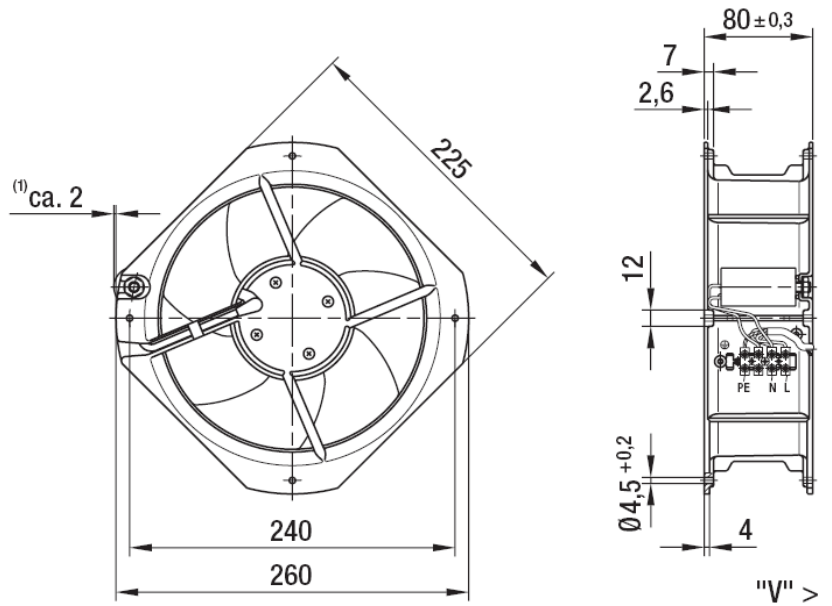
**Fanlar**



**“ebmpapst”  
Kompakt Aksiyel Fanlar**

**W2E200 HK38- 01**

Phase		1~	1~
Nominal voltage	[V]	230	230
Frequency	[Hz]	50	60
Type of data definition		rfa	rfa
Valid for approval / standard		CE	CE
Speed	[min <sup>-1</sup> ]	2630	3000
Power input	[W]	60	70
Current draw	[A]	0,30	0.31
Motor capacitor	[µF]	1,5	1.5
Capacitor voltage	[VDB]	450	450
Capacitor standard		P0 (CE)	P0 (CE)
Max. back pressure	[Pa]	80	95
Max. ambient temperature	[°C]	50	60
Air flow	[m <sup>3</sup> /h]	880	1000
Back pressure	[Pa]	0	0
Sound pressure level	[dB(A)]	58	61



Performans (50 Hz) :

