

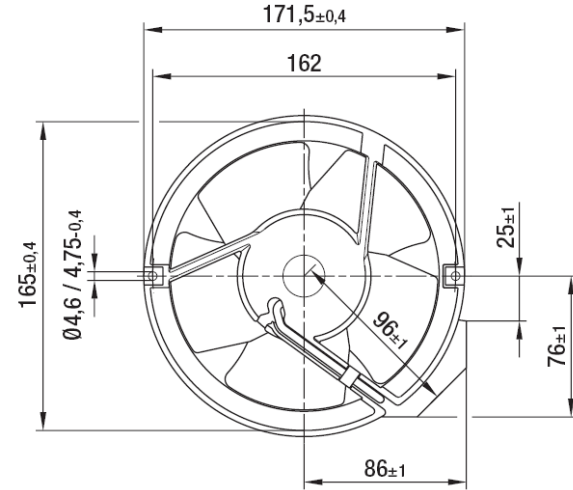
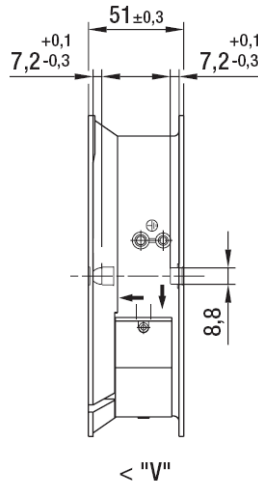
Fanlar



“ebmpapst”
Kompakt Aksiyel Fanlar

W2E143 AA09- 01

Phase		1~	1~
Nominal voltage	[V]	230	230
Frequency	[Hz]	50	60
Type of data definition		rfa	rfa
Valid for approval / standard		CE	CE
Speed	[min ⁻¹]	2800	3300
Power input	[W]	24	26
Current draw	[A]	0,12	0.11
Motor capacitor	[µF]	0,75	0.75
Capacitor voltage	[VDB]	400	400
Capacitor standard		P0 (CE)	P0 (CE)
Max. ambient temperature	[°C]	70	70
Air flow	[m ³ /h]	375	440
Back pressure	[Pa]	0	0
Sound pressure level	[dB(A)]	55	60



Performans (50 Hz) :

