

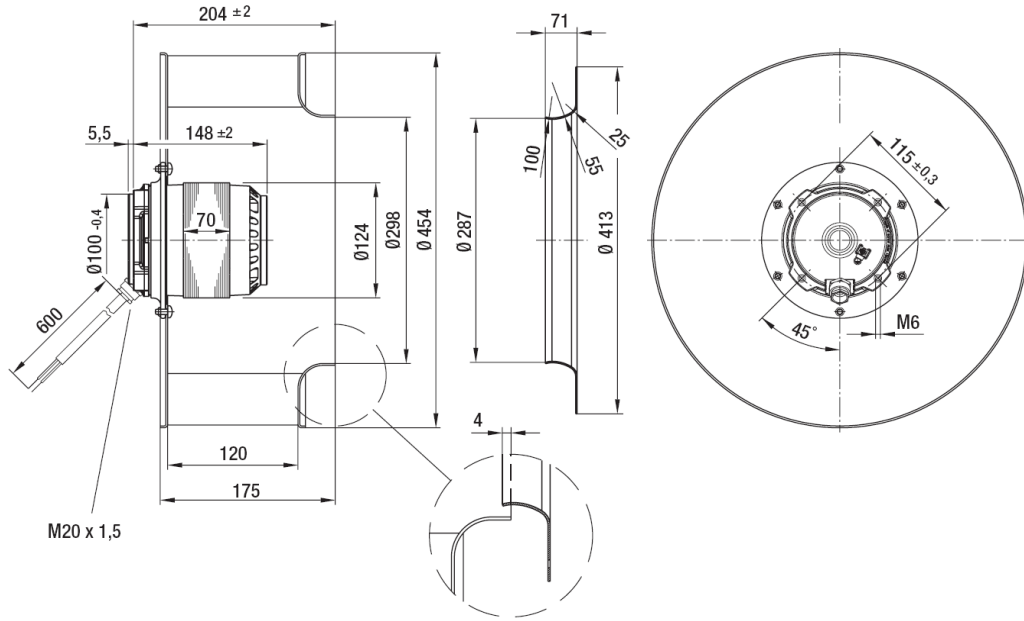
Fanlar



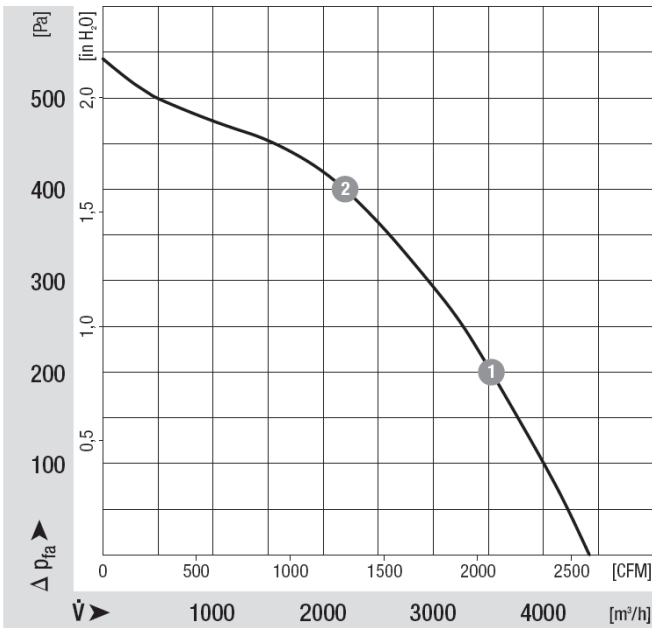
“ebmpapst” Geriye Eğik Kanatlı Santrifüj Fanlar

R4E450 AB09 - 06

Phase		1~
Nominal voltage	[V]	230
Frequency	[Hz]	50
Type of data definition		ml
Valid for approval / standard		CE
Speed	[min ⁻¹]	1290
Power input	[W]	640
Current draw	[A]	3,1
Motor capacitor	[µF]	10
Capacitor voltage	[VDB]	400
Min. back pressure	[Pa]	0
Max. ambient temperature	[°C]	50
Air flow	[m ³ /h]	4410
Back pressure	[Pa]	0
Sound pressure level	[dB(A)]	75



Performans (50 Hz) :



Bağlantı:

