

## Fanlar

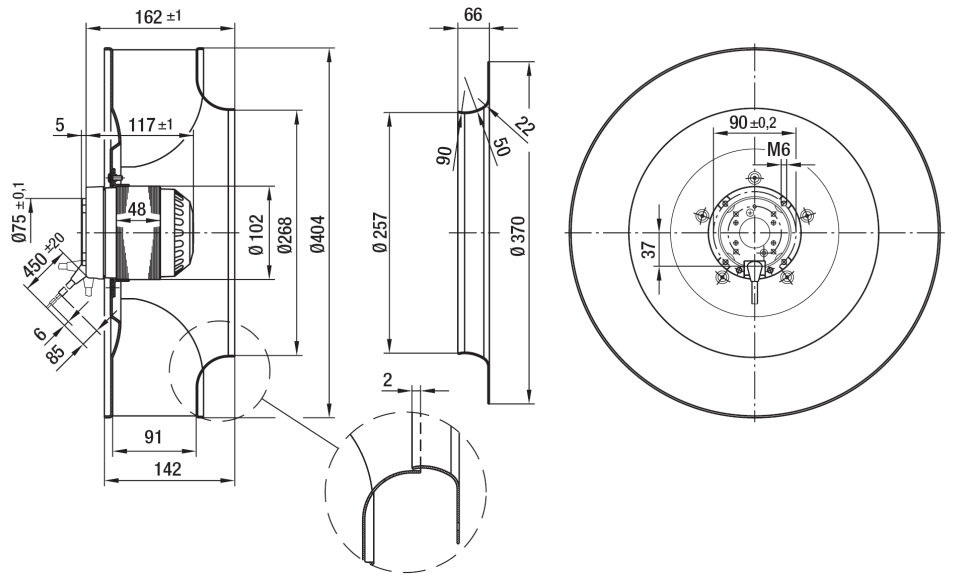


“ebmpapst”

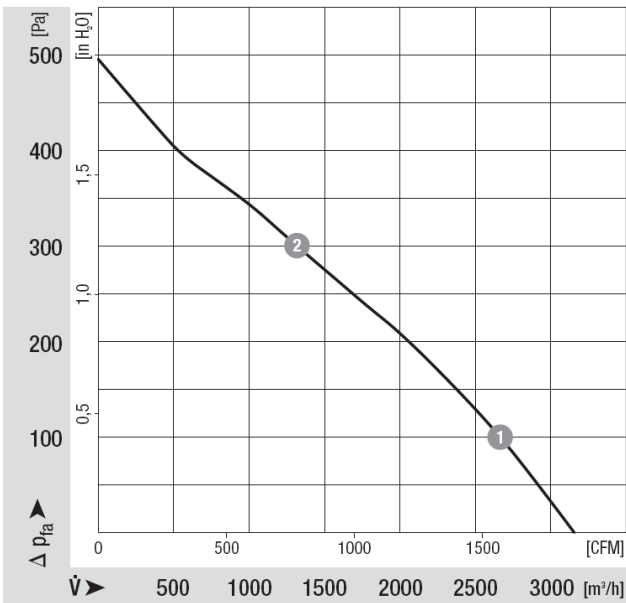
## Geriye Eğik Kanatlı Santrifüj Fanlar

### R4E400 AB23 - 05

Phase		1~
Nominal voltage	[V]	230
Frequency	[Hz]	50
Type of data definition		rfa
Valid for approval / standard		CE
Speed	[min <sup>-1</sup> ]	1300
Power input	[W]	270
Current draw	[A]	1,2
Motor capacitor	[µF]	8
Capacitor voltage	[VDB]	400
Min. back pressure	[Pa]	0
Max. ambient temperature	[°C]	45
Air flow	[m <sup>3</sup> /h]	3150
Back pressure	[Pa]	0



### Performans (50 Hz) :



### Bağlantı:

