

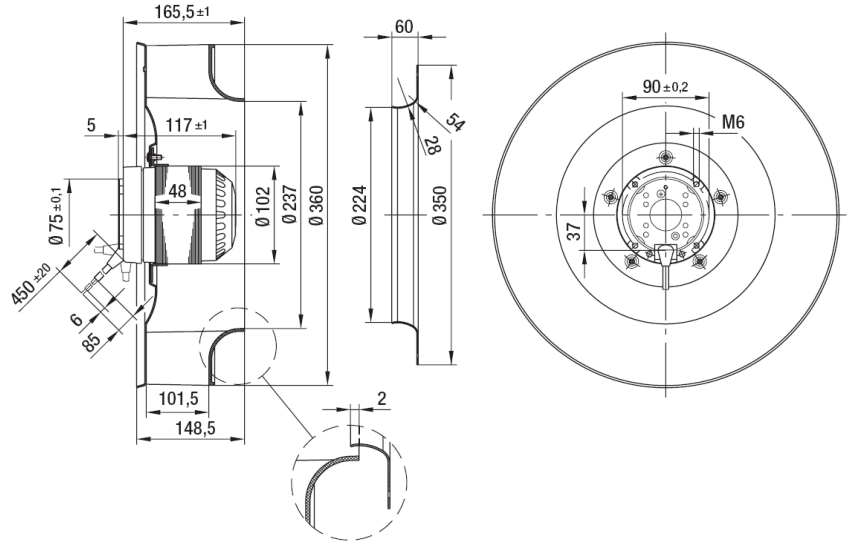
Fanlar



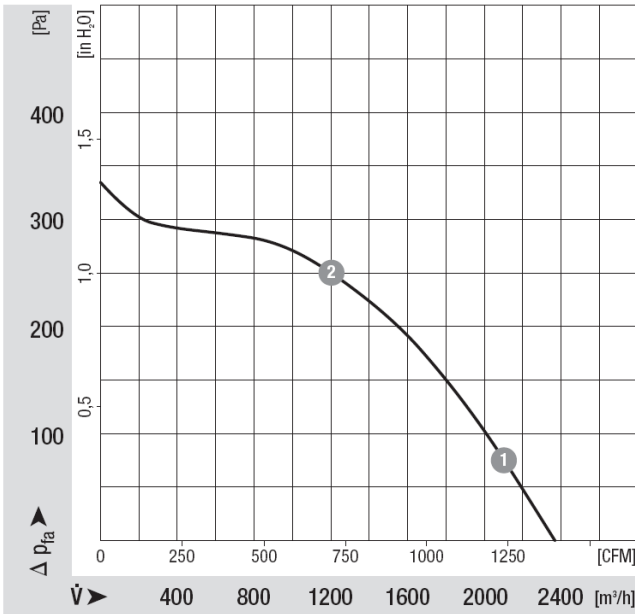
“ebmpapst” Geriye Eğik Kanatlı Santrifüj Fanlar

R4E355 AF05 - 05

Phase		1~	1~
Nominal voltage	[V]	230	230
Frequency	[Hz]	50	60
Type of data definition		rfa	rfa
Valid for approval / standard		CE	CE
Speed	[min ⁻¹]	1410	1630
Power input	[W]	170	250
Current draw	[A]	0,78	1.1
Motor capacitor	[µF]	6	6
Capacitor voltage	[VDB]	400	400
Capacitor standard		P0 (CE)	P0 (CE)
Min. back pressure	[Pa]	0	0
Max. ambient temperature	[°C]	40	0
Air flow	[m ³ /h]	2365	2740
Back pressure	[Pa]	0	0
Sound pressure level	[dB(A)]	66	70



Performans (50 Hz) :



Bağlantı:

