

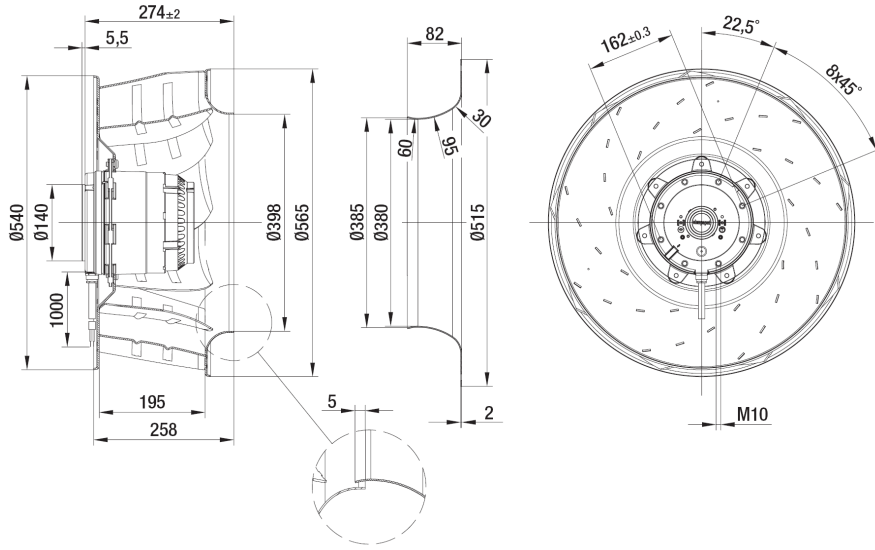
## Fanlar



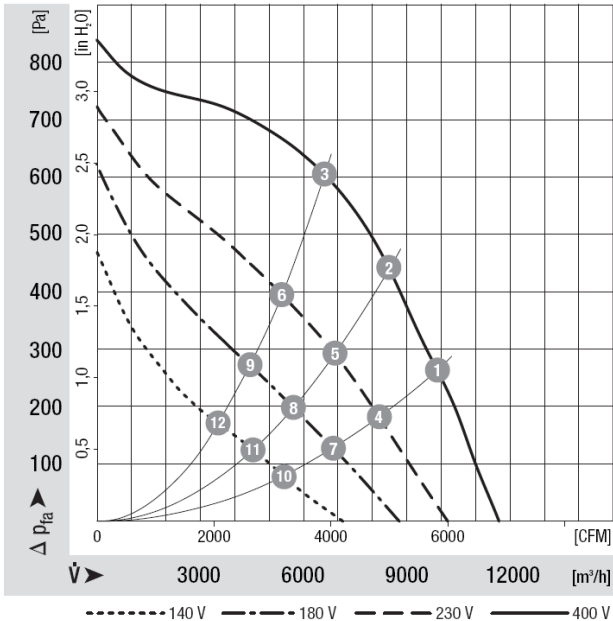
# “ebmpapst” Geriye Eğik Kanatlı Santrifüj Fanlar

## R4D560 AQ03 - 01

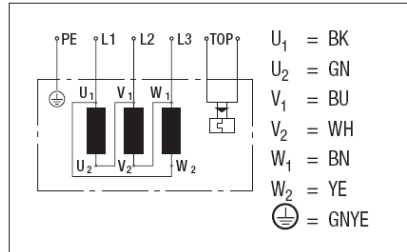
Phase		3~	3~
Nominal voltage	[V]	230	400
Connection		D	Y
Frequency	[Hz]	50	50
Type of data definition		ml	ml
Valid for approval / standard		CE	CE
Speed	[min <sup>-1</sup> ]	1365	1365
Power input	[W]	2380	2380
Current draw	[A]	8,65	5.0
Min. back pressure	[Pa]	0	0
Max. ambient temperature	[°C]	60	60
Air flow	[m <sup>3</sup> /h]	11700	11700
Back pressure	[Pa]	0	0
Sound pressure level	[dB(A)]	79	79



## Performans (50Hz) :



## Bağlantı: Üçgen (3~ 230 VAC)



## Yıldız (3~ 400 VAC)

