

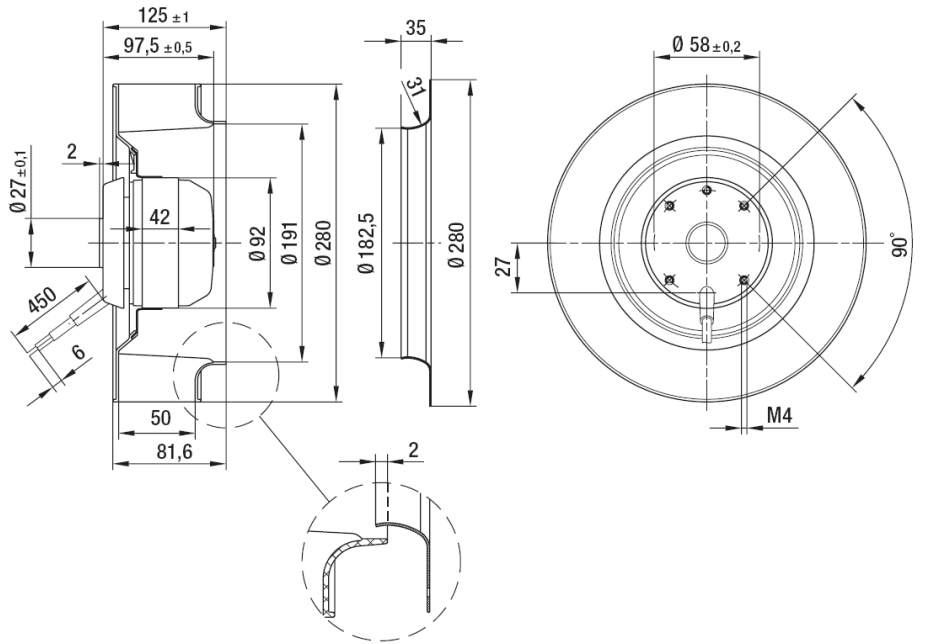
Fanlar



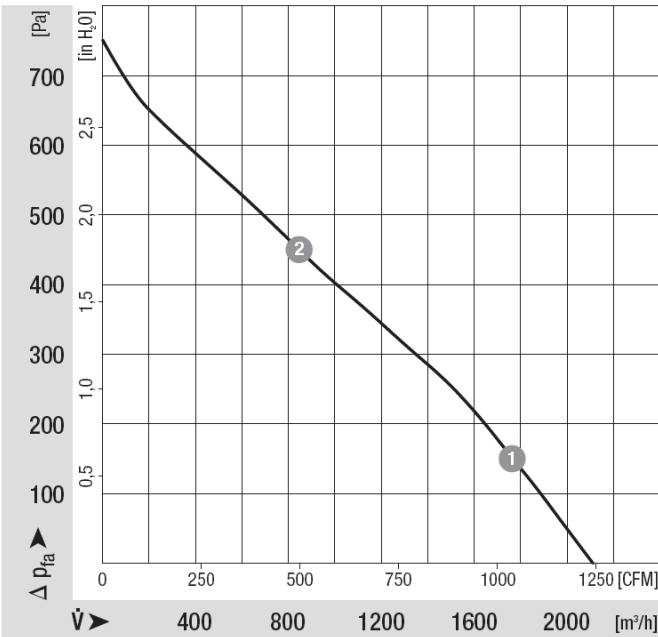
“ebmpapst” Geriye Eğik Kanatlı Santrifüj Fanlar

R2E280 AE52 - 05

Phase		1~
Nominal voltage	[V]	230
Frequency	[Hz]	50
Type of data definition		rfa
Valid for approval / standard		CE
Speed	[min ⁻¹]	2700
Power input	[W]	225
Current draw	[A]	1,0
Motor capacitor	[µF]	7
Capacitor voltage	[VDB]	400
Capacitor standard		P0 (CE)
Min. back pressure	[Pa]	0
Max. ambient temperature	[°C]	40
Air flow	[m ³ /h]	2110
Back pressure	[Pa]	0
Sound pressure level	[dB(A)]	76



Performans (50 Hz) :



Bağlantı:

