

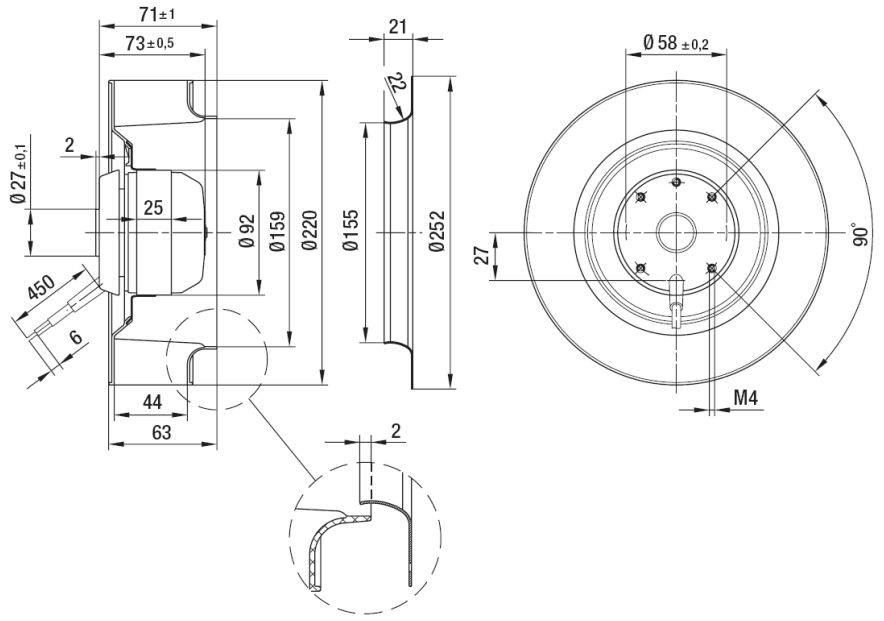
Fanlar



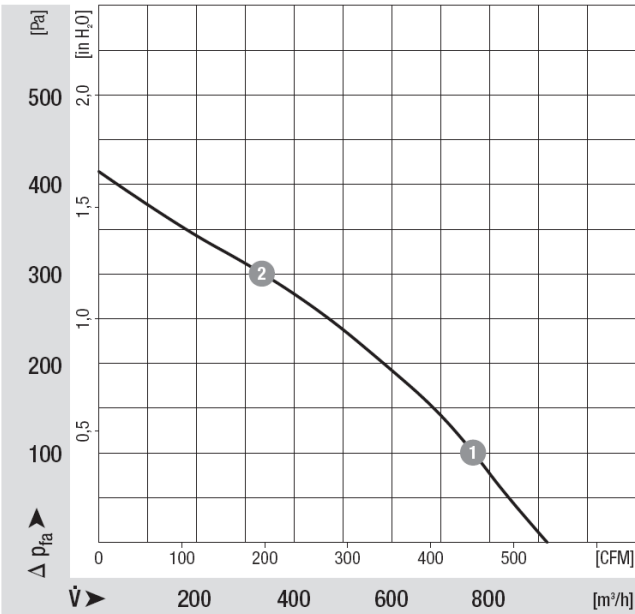
“ebmpapst” Geriye Eğik Kanatlı Santrifüj Fanlar

R2E220 AB06 - 05

Phase		1~	1~
Nominal voltage	[V]	230	230
Frequency	[Hz]	50	60
Type of data definition		rfa	rfa
Valid for approval / standard		CE	CE
Speed	[min ⁻¹]	2700	3050
Power input	[W]	85	115
Current draw	[A]	0.38	0.51
Motor capacitor	[µF]	2.5	2.5
Capacitor voltage	[VDB]	400	400
Min. back pressure	[Pa]	0	0
Max. ambient temperature	[°C]	45	45
Air flow	[m ³ /h]	885	990
Back pressure	[Pa]	0	0
Sound pressure level	[dB(A)]	72	75



Performans (50 Hz) :



Bağlantı:

