

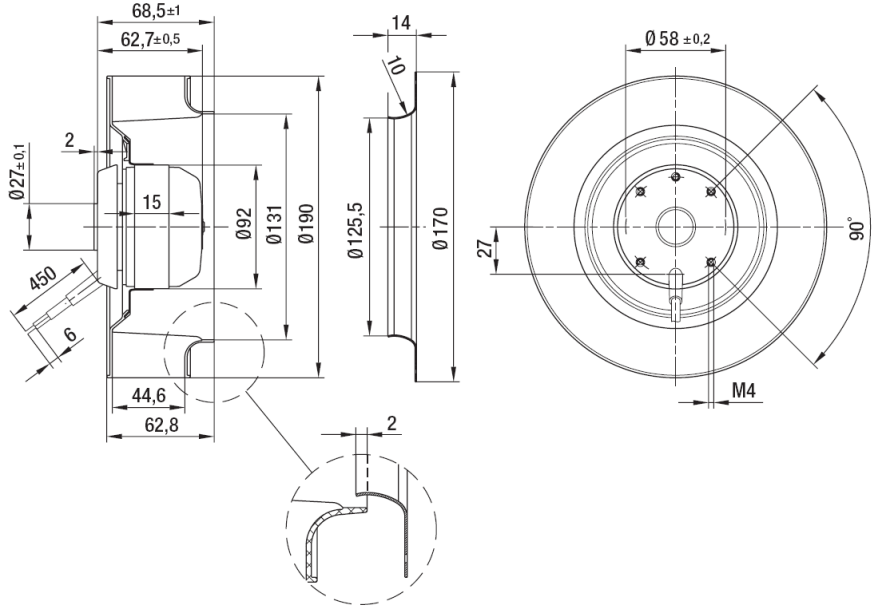
## Fanlar



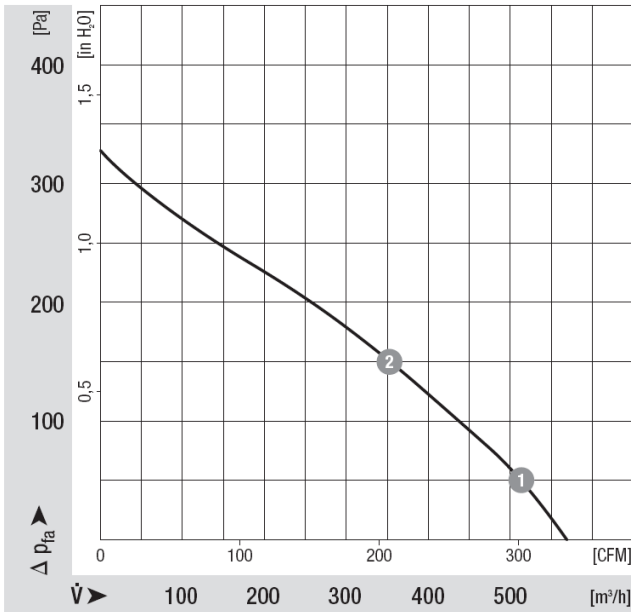
# “ebmpapst” Geriye Eğik Kanatlı Santrifüj Fanlar

## R2E190 A026 - 05

Phase		1~	1~
Nominal voltage	[V]	230	230
Frequency	[Hz]	50	60
Type of data definition		rfa	rfa
Valid for approval / standard		CE	CE
Speed	[min <sup>-1</sup> ]	2500	2700
Power input	[W]	58	75
Current draw	[A]	0,26	0,34
Motor capacitor	[µF]	2	2
Capacitor voltage	[VDB]	400	400
Capacitor standard		P0 (CE)	P0 (CE)
Min. back pressure	[Pa]	0	0
Max. ambient temperature	[°C]	50	55
Air flow	[m <sup>3</sup> /h]	570	620
Back pressure	[Pa]	0	0
Sound pressure level	[dB(A)]	62	64



## Performans (50 Hz) :



## Bağlantı:

