

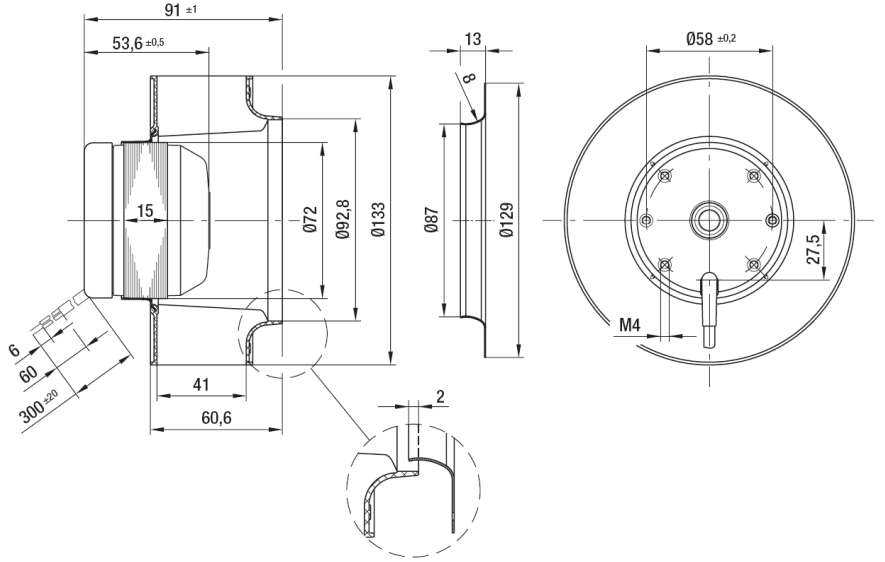
Fanlar



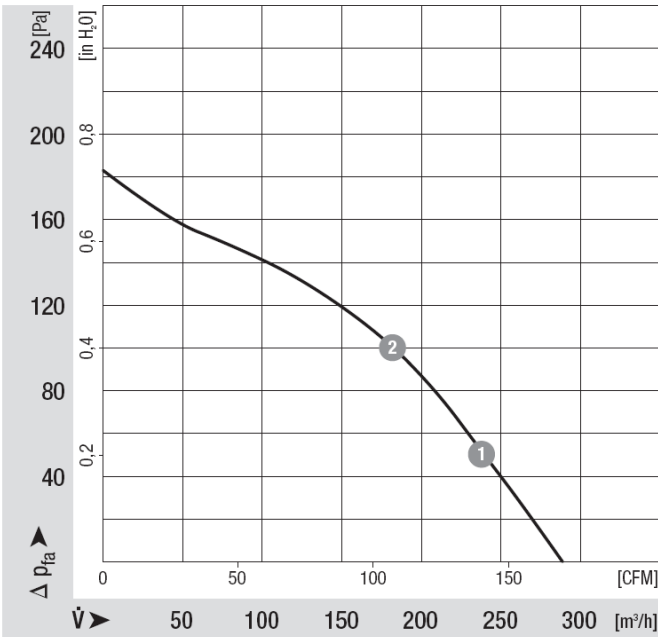
“ebmpapst” Geriye Eğik Kanatlı Santrifüj Fanlar

R2E133 BH66 - 05

Phase		1~	1~
Nominal voltage	[V]	230	230
Frequency	[Hz]	50	60
Type of data definition		rfa	rfa
Valid for approval / standard		CE	CE
Speed	[min ⁻¹]	2800	3300
Power input	[W]	24	27
Current draw	[A]	0.11	0.13
Motor capacitor	[µF]	1	1
Capacitor voltage	[VDB]	400	400
Capacitor standard		P0 (CE)	P0 (CE)
Min. back pressure	[Pa]	0	0
Max. ambient temperature	[°C]	45	60
Air flow	[m ³ /h]	290	345
Back pressure	[Pa]	0	0
Sound pressure level	[dB(A)]	56	60



Performans:



Bağlantı:

