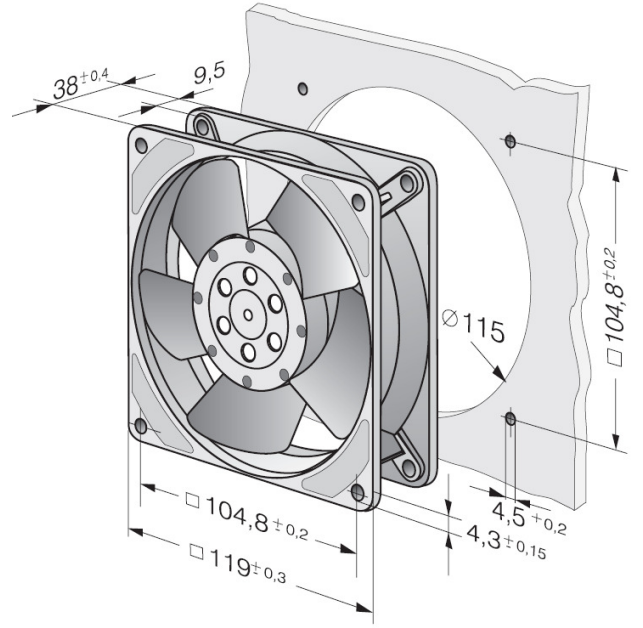


Fanlar



4650 Z

Nominal voltage	[VAC]	230
Frequency	[Hz]	50
Speed	[min ⁻¹]	2650
Power input	[W]	19,0
Min. ambient temperature	[°C]	-10
Max. ambient temperature	[°C]	50
Air flow	[m ³ /h]	160
Sound power level	[B]	5,3
Sound pressure level	[dB(A)]	40



Performans :

